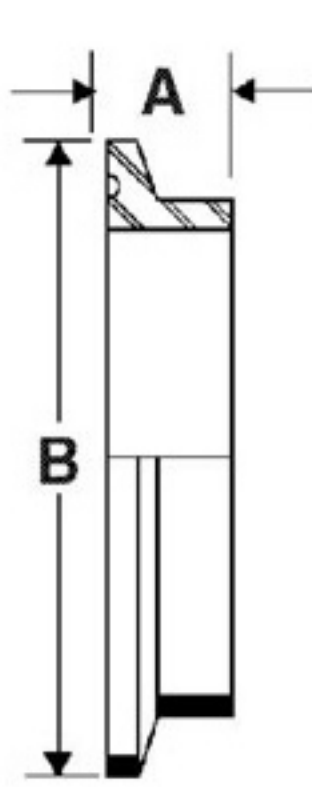
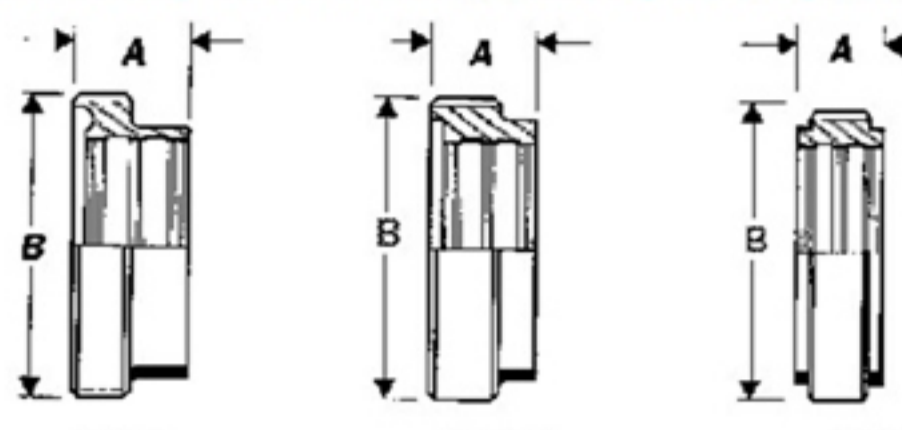


## Niple Solda e de Redução TC



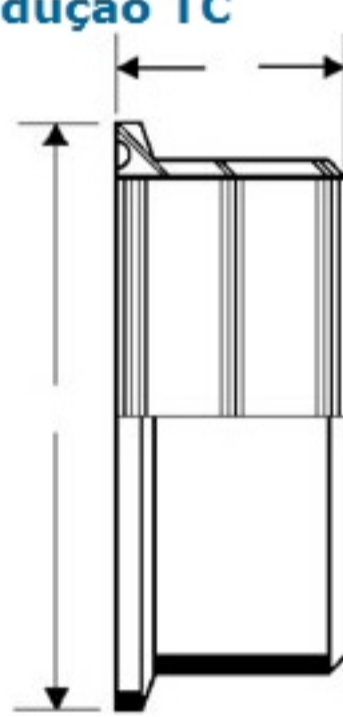
Ø	A		B
	Longo	Curto	
1"	13,0	22,0	1,5
1.1/2"	13,0	22,0	1,5
2"	13,0	22,0	1,5
2.1/2"	13,0	22,0	1,5
3"	13,0	22,0	1,5
4"	13,0	22,0	1,5
6"	13,0	22,0	2,0
5"	15,0	22,0	2,0
8"	15,0	22,0	2,0

## Machos Expansão / Machos de Redução Expansão



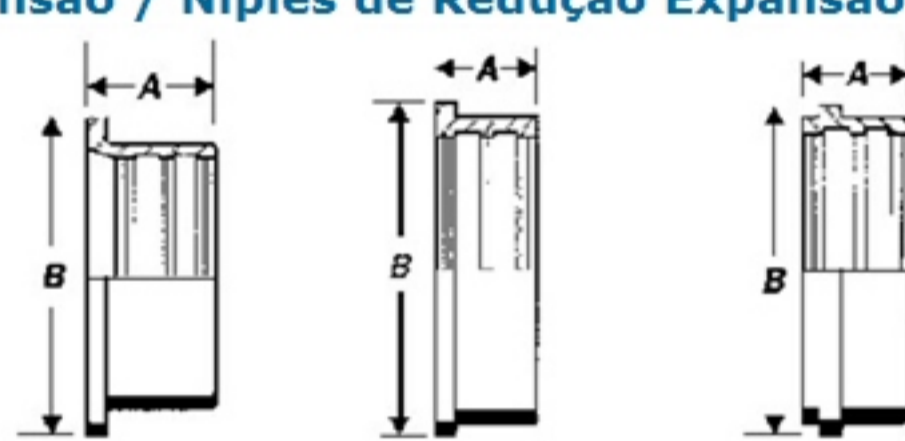
Ø	RJT		SMS		IDF		DIN	
	A	B	A	B	A	B	A	B
1"	20	45,0	20	35,3	15	33,8	20	44,0
1".1/2"	22	58,0	22	55,0	15	47,0	20	56,0
2"	22	72,0	22	65,0	15	60,5	21	68,5
2.1/2"	26	85,0	26	80,0	15	74,0	24	86,0
3"	30	98,0	30	93,0	15	87,5	28	100,0

## Niple Expansão e de Redução TC

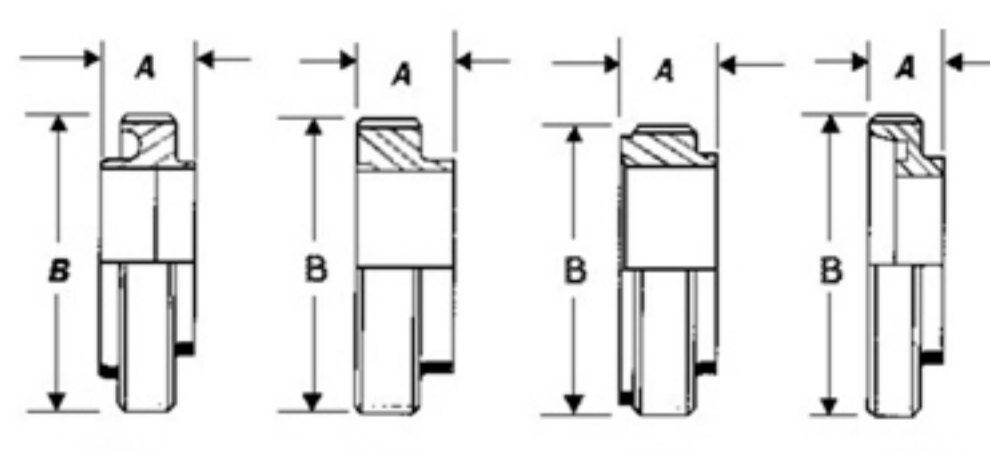


Ø	B	C
1"	19,0	50
1.1/2"	22,0	50
2"	22,0	64
2.1/2"	24,0	77
3"	24,0	91
4"	28,0	119

## Nipples Expansão / Nipples de Redução Expansão

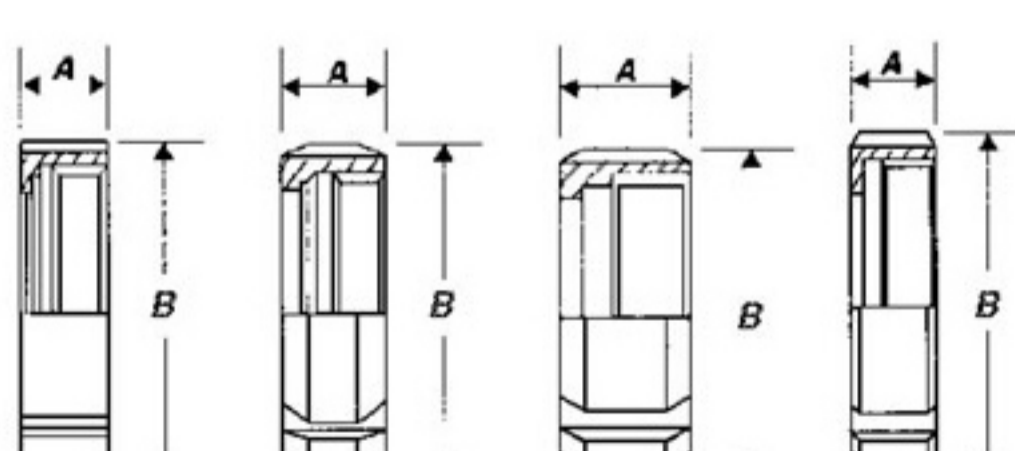


Ø	RJT		SMS		IDF	
	A	B	A	B	A	B
1"	20	41,0	17	36,0	17	34,0
1".1/2"	24	54,0	20	55,0	20	47,0
2"	28	66,0	20	65,0	20	60,0
2.1/2"	32	79,0	25	80,0	25	74,0
3"	32	92,0	-	93,0	30	88,0



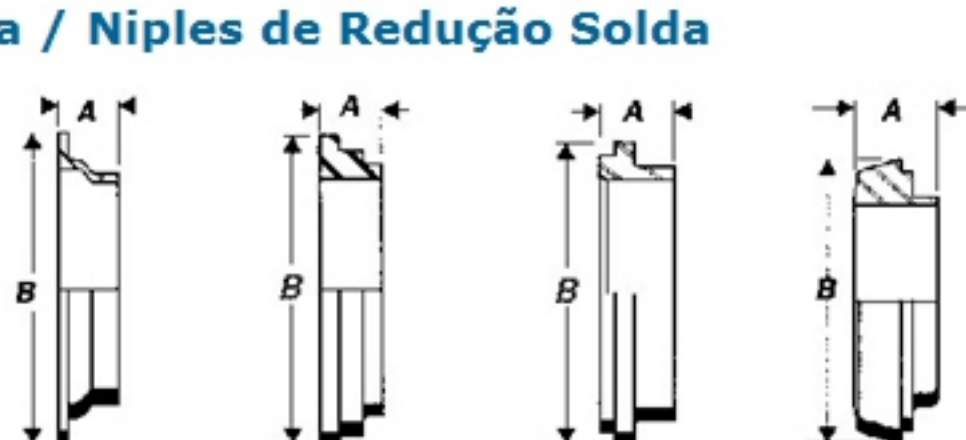
Ø	RJT		SMS		IDF		DIN	
	A	B	A	B	A	B	A	B
1"	24	45,0	20	40,0	22,0	37,0	24	52
1".1/2"	24	58,0	20	60,0	22,0	51,0	24	65
2"	24	72,0	20	70,0	22,0	64,0	24	78
2.1/2"	24	85,0	24	85,0	22,0	78,0	27	95
3"	24	98,0	24	98,0	22,0	91,0	31	110
4"	24	123,0	30	131,0	30	120,0	31	130
5"	24	150,0	30	150,0	-	-	44	170
6"	30	175,0	30	180,0	-	-	44	190

## Porca Circular / Porca Tampão / Porca Tampão C/Corrente



Ø	RJT		SMS		IDF		DIN	
	A	B	A	B	A	B	A	B
1"	22	59	20	51	30	48	21	63
1".1/2"	22	72	20	74	30	64	21	78
2"	22	85	20	84	30	77	22	92
2.1/2"	22	98	26	100	30	91	25	112
3"	22	111	28	114	30	106	29	127
4"	22	136	30	154	30	134	31	148
5"	26	170	30	170	-	-	35	176
6"	26	225	35	199	-	-	40	210

## Nipples Solda / Nipples de Redução Solda



Ø	RJT		SMS		IDF		DIN	
	A	B	A	B	A	B	A	B
1"	13	42,0	13	35,3	15	33,8	20	44,0
1".1/2"	13	53,0	13	55,0	15	47,0	20	56,0
2"	13	67,0	13	65,0	15	60,5	21	68,5
2.1/2"	13	80,0	13	80,0	15	74,0	24	86,0
3"	13	93,0	13	93,0	15	87,5	28	100,0
4"	15	117,0	15	127,0	15	114,0	28	121,0
5"	18	145,0	20	145,0	-	-	28	150
6"	24	175,0	24	175,0	-	-	28	176